



FLIR ACC

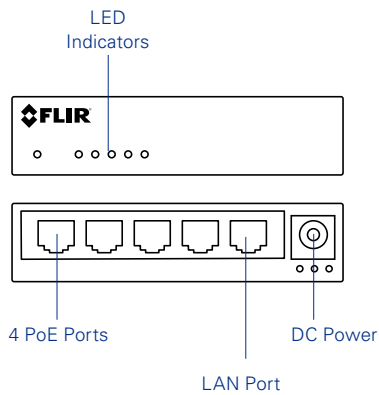
4+1 High-Power PoE Switch

The FLIR ACCDPS241 4+1 Port High Power PoE Switch centralizes power distribution for up to 4 Power Over Ethernet (PoE) IP Cameras and it's compatible with Power over Ethernet+ (PoE+; class 4). You can connect up to 4 cameras rated PoE class 3 (15W) or up to 2 cameras rated PoE+ class 4 (30W). PoE connection simplifies installation by eliminating the need for dedicated electrical outlets per IP Camera.

CENTRALIZED POWER DISTRIBUTION

Easy all-in-one PoE connection

- Supports up to 4 PoE IP Cameras - 60W total across all ports
- IEEE 802.3at/af Power over Ethernet standard - compatible with (PoE+)
- Connect up to 4 cameras rated PoE class 3 (15W) or up to 2 cameras rated PoE+ class 4 (30W)



Specifications	
Ports	1x RJ-45 for 10/100Base-TX (1) 4x RJ-45 with PoE for 10/100Base-TX (2~5)
PoE Standard	IEEE 802.3at/af Power over Ethernet
PoE Power Output	Per Port 56V DC, Max. 30W
Total Power Output	60W across ports 2~5
PoE Class	Class 2/3/4
Standard Compliance	IEEE 802.3 (Ethernet) IEEE 802.3u (Fast Ethernet) IEEE 802.3x (Flow Control) IEEE 802.3af (Power over Ethernet) up to 4 ports IEEE 802.3at (Power over Ethernet+) up to 2 ports
Operating Humidity	32 ~ 122F / 0 ~ 50C
Operating Temperature	12
Power Input	DC 56V, 1.16A
Dimensions (W x D x H)	3.5" x 3.1" x 0.8" 90mm x 180mm x 43mm (W x D x H)
Weight	0.2kg

Ordering Information

ACCDPS241: 8-41430-00927-6

Package Dimensions

9.1 x 6.1 x 2.4" /
231 x 155 x 61mm

MARKHAM, ONTARIO

FLIR Systems, Inc.
250 Royal Crest Court
Markham, ON L3R 3S1
Canada
PH: +1 866.344.4674

PORTLAND

Corporate Headquarters
FLIR Systems, Inc.
27700 SW Parkway Ave.
Wilsonville, OR 97070
USA
PH: +1 866.477.3687

www.flir.com/security

NASDAQ: FLIR

Equipment described herein may require US Government authorization for export purposes. Diversion contrary to US law is prohibited. Imagery for illustration purposes only. Specifications are subject to change without notice. ©2014 FLIR Systems, Inc. All rights reserved. (Created 09/04)