



CM-SNSHLD-G4 Sun Shield for CM-640x Cameras Installation Guide

What's in the Box

Item	Qty
Sun shield	1
M4 screws	2

Prior to installation, make sure the items are not damaged. If they are, contact your dealer.

Required Tool

- Phillips head screwdriver

Related Documentation

- *CM-640x Quick Install Guide*
- *CM-640x Installation and User Guide*



Tip

FLIR recommends attaching the sun shield to the camera before mounting the camera. After attaching the sun shield, and mounting and aiming the camera, FLIR recommends checking the video image and making any necessary adjustments to the camera's settings. For more information about installing and configuring the camera, see the camera's technical documentation.

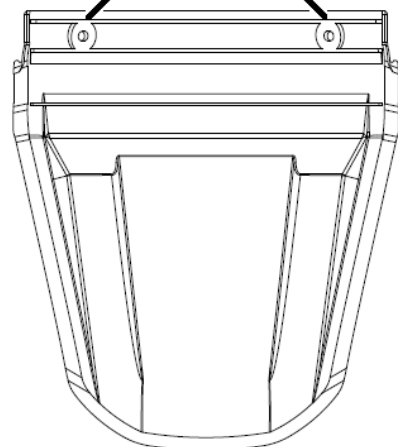
Step 1 - Make Sure the Camera is Facing Up

Upright FLIR logo



Step 2 - Attach Sun Shield to Camera

Screw holes

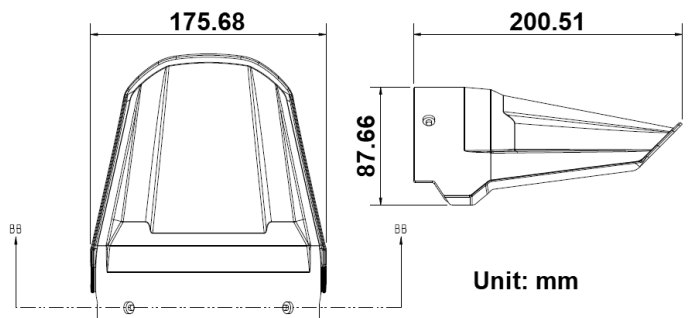


- Align the sun shield over the camera so that the screw holes on the sun shield line up with the screw holes on the base of the camera.
- Using the Phillips head screwdriver, attach the sun shield to the camera by fastening the two screws included with the sun shield.

Installation Complete



Dimensions



The World's Sixth Sense®

CM-SNSHLD-G4 Installation Guide
Revision 100 January 2021

FLIR Systems, Inc.
Tel: +1 888.388-3577

6769 Hollister Ave.
Goleta, CA 93117