



# REYA POWER

ACCESSORIES



HAT  
COLLECTIVE™  
HUMAN ACTIVE TECHNOLOGY

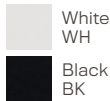
# SMART. BEAUTIFUL. POWERFUL.

Meet Reya – our new power family. Reya’s design-forward architecture with soft, curved lines offers a full spectrum of mountable power options for your workstation. Whatever your power needs, big or small, Reya provides power conveniently at your fingertips.



## LOW PROFILE USB HUB\*

### Finishes



### Features

- 1 USB-A charger port
- 1 USB-C charger port
- Can charge laptop up to 65 Watts (requires 5A-Rated USB-C cable)
- Mount: Desk edge/surface mount, under mount, edge mount (desk edge/surface mount: 0.5" - 1.75")

### Specifications

Input: DC, 65W max from HAT Base Control Box  
 Output:  
 Single Port In Use:  
 USB-C: QC2.0, QC3.0, PD3.0, PPS, 65W max  
 USB-A: 5V/2A, 10W max  
 Both Ports In Use:  
 USB-C: 20V2.25A max  
 USB-A: 5V2A max

### Dimensions

Product: 2.4" x 2.2" x 1.2"  
 Cord Length: 5'

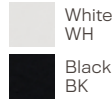
### Part Numbers

PWR-AC-\_\_ USB Hub, Requires HAT Base  
 PWR-AC-PS-\_\_ USB Hub, Includes AC Adapter



## STANDARD SURFACE POWER MODULE

### Finishes



### Features

- 2 power receptacles
- 1 USB-A charger port
- 2 USB-C charger ports
- Can charge laptop up to 65 Watts (requires 5A-Rated USB-C cable)
- Mount: Desk edge, 0.75" - 1.75"
- Conforms and tested to UL 962A and UL 1310 standards
- Tamper-resistant (TR) AC outlets
- Integrated circuit breaker

### Specifications

Input: 125VAC, 60Hz, 15A max  
 Output:  
 AC Outlets (2): 120VAC, 60HZ, 15A max  
 Single port use:  
 USB-A: 5V3A, 9V2.A, 12V1.5, 18W max  
 USB-C1: 5V/3A, 9V3A, 12V3A, 15V3A, 20V3.25A; PPS (3.3-11V4.05A, 3.3-16V3A, 65W max); PD3.0, APPLE2.4A, DCP1.5A, QC2.0/3.0, AFC  
 USB-C2: 5V3A, 9V2.22A, 12V1.67A, 20W max  
 Multi port use:  
 USB-C1 + USB-C2: USB-C1 max 45W (5V3A, 9V3A, 12V3A, 15V2.67A, 20V2.25A); USB-C2 max 20W (5V3A, 9V2.22A, 12V1.67A)  
 USB-C1 + USB-A: USB-C1 max 45W (5V3A, 9V3A, 12V3A, 15V2.67A, 20V2.25A); USB-A max 18W (5V3A, 9V2.A, 12V1.5, 18W max)  
 USB-C2 + USB-A: Both share 15W  
 USB-C1 + USB-C2 + USB-A: USB-C1 max 45W (5V3A, 9V3A, 12V3A, 15V2.67A, 20V2.25A); USB-C2 & USB-A share 15W

### Dimensions

Product: 7.1" x 3.3" x 2.3"  
 Cord Length: 6'

### Part Numbers

PWR-ACC-\_\_ Standard Surface Power Module

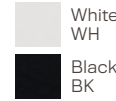
### Accessory

PWR-UM-CK Under Mount Kit



## WIRELESS SURFACE POWER MODULE

### Finishes



### Features

- 2 power receptacles
- 1 USB-A charger port
- 2 USB-C charger ports
- Can charge laptop up to 65 Watts (requires 5A-Rated USB-C cable)
- Fast wireless charging
- Mount: Desk edge, 0.75" - 1.75"
- Conforms and tested to UL 962A and UL 1310 standards
- Tamper-resistant (TR) AC outlets
- Integrated circuit breaker

### Specifications

Input: 125VAC, 60Hz, 15A max  
 Output:  
 AC Outlets (2): 120VAC, 60HZ, 15A max  
 Single port use:  
 USB-A: 5V3A, 9V2.A, 12V1.5, 18W max  
 USB-C1: 5V/3A, 9V3A, 12V3A, 15V3A, 20V3.25A; PPS (3.3-11V4.05A, 3.3-16V3A, 65W max), PD3.0, APPLE2.4A, DCP1.5A, QC2.0/3.0, AFC  
 USB-C2: 5V3A, 9V2.22A, 12V1.67A, 20W max  
 Multi port use:  
 USB-C1 + USB-C2: USB-C1 max 45W (5V3A, 9V3A, 12V3A, 15V2.67A, 20V2.25A); USB-C2 max 20W (5V3A, 9V2.22A, 12V1.67A);  
 USB-C1 + USB-A : USB-C1 max 45W (5V3A, 9V3A, 12V3A, 15V2.67A, 20V2.25A); USB-A max 18W (5V3A, 9V2.A, 12V1.5, 18W max)  
 USB-C2 + USB-A : Both share 15W  
 USB-C1 + USB-C2 + USB-A : USB-C1 max 45W (5V3A, 9V3A, 12V3A, 15V2.67A, 20V2.25A); USB-C2 & USB-A share 15W;  
 Wireless Charging: 5W, 7.5W, 10W, 15W (auto detection)

### Dimensions

Product: 7.1" x 3.3" x 2.4"  
 Cord Length: 6'

### Part Numbers

PWR-ACC-WRLS-\_\_ Wireless Surface Power Module





**POWER STRIP**

**Finishes**

- White  
WH
- Black  
BK

**Features**

6 power receptacles  
 Conforms and tested to UL 962A and UL 498 standards  
 Tamper-resistant (TR) AC outlets  
 Integrated circuit breaker

**Specifications**

Input: 125VAC, 60Hz, 15A max  
 Output:  
 AC Outlets (6): 120VAC, 60HZ, 15A max

**Dimensions**

Product: 14.6" x 2.4" x 1.5"  
 Cord Length: 9'

**Part Numbers**

PWR-STRP-\_\_ Power Strip



**POWER STRIP WITH HARDWIRED STANDARD SURFACE POWER MODULE**

**Finishes**

- White  
WH
- Black  
BK

**Features**

Power Strip: 6 power receptacles  
 Power Module: 2 power receptacles  
 1 USB-A charger port  
 2 USB-C charger ports  
 Can charge laptop up to 65 Watts  
 (requires 5A-Rated USB-C cable)

Conforms and tested to UL 962A, UL 1310, and UL 498 standards  
 Tamper-resistant (TR) AC outlets  
 Integrated circuit breaker

**Specifications**

Input: 125VAC, 60Hz, 15A max  
 Output, Power Strip:  
 AC Outlets (6): 120VAC, 60HZ, 12A max  
 Output, Surface Mounted Power Module:  
 AC Outlets (2): 120VAC, 60HZ, 15A max  
 USB:  
 Single Port Use  
 USB-A: 5V3A, 9V2.A, 12V1.5, 18W max  
 USB-C1: 5V/3A, 9V3A, 12V3A, 15V3A, 20V3.25A;  
 PPS (3.3-11V4.05A, 3.3-16V3A, 65W max),  
 PD3.0, APPLE2.4A, DCP1.5A, QC2.0/3.0, AFC  
 USB-C2: 5V3A, 9V2.22A, 12V1.67A, 20W max  
 Multi Port Use  
 USB-C1 + USB-C2: USB-C1 max 45W (5V3A, 9V3A, 12V3A, 15V2.67A, 20V2.25A); USB-C2 max 20W (5V3A, 9V2.22A, 12V1.67A)  
 USB-C1 + USB-A: USB-C1 max 45W (5V3A, 9V3A, 12V3A, 15V2.67A, 20V2.25A); USB-A max 18W (5V3A, 9V2.A, 12V1.5, 18W max)  
 USB-C2 + USB-A: Both share 15W  
 USB-C1 + USB-C2 + USB-A : USB-C1 max 45W (5V3A, 9V3A, 9V3A, 12V3A, 15V2.67A, 20V2.25A);  
 USB-C2 & USB-A share 15W

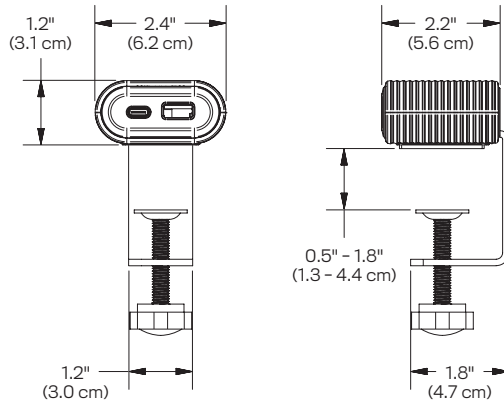
**Dimensions**

Surface Unit: 7.1" x 3.3" x 2.4"  
 Power Strip: 14.6" x 2.4" x 1.5"  
 Cord Length:  
 Input: 9'  
 Between Units: 3'

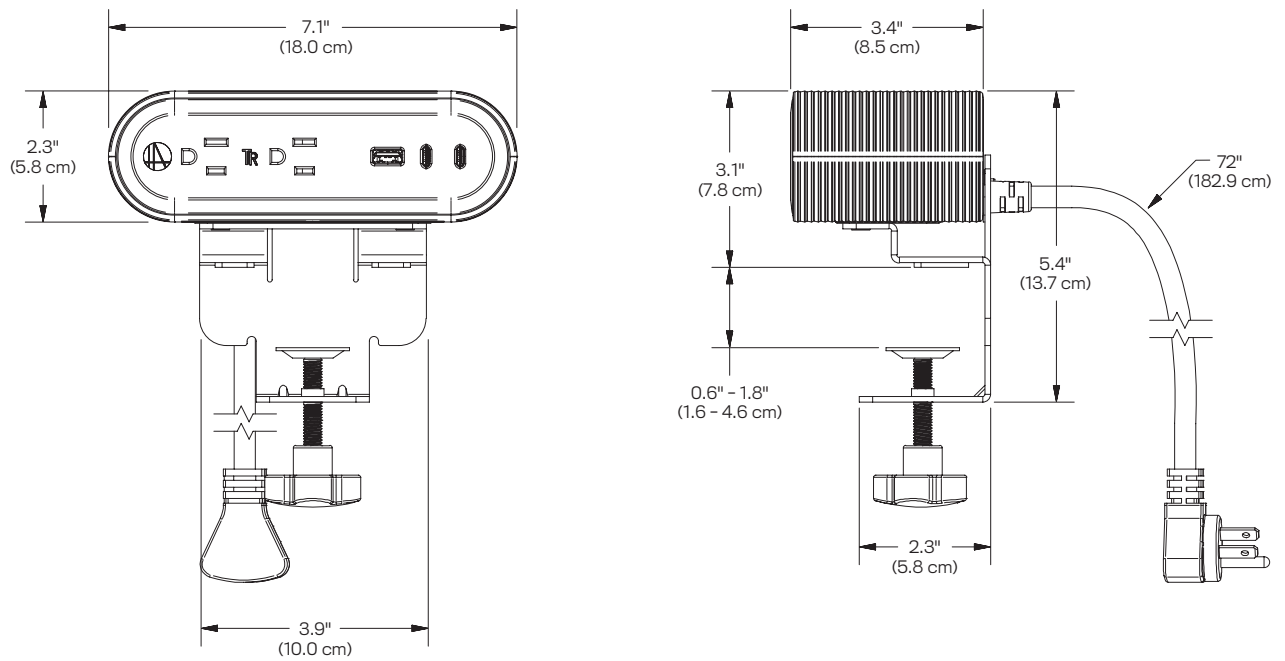
**Part Numbers**

PWR-ACC-STRP-\_\_ Power Strip w/Standard Module  
 PWR-ACC-WRLS-STRP-\_\_ Power Strip w/Wireless Module

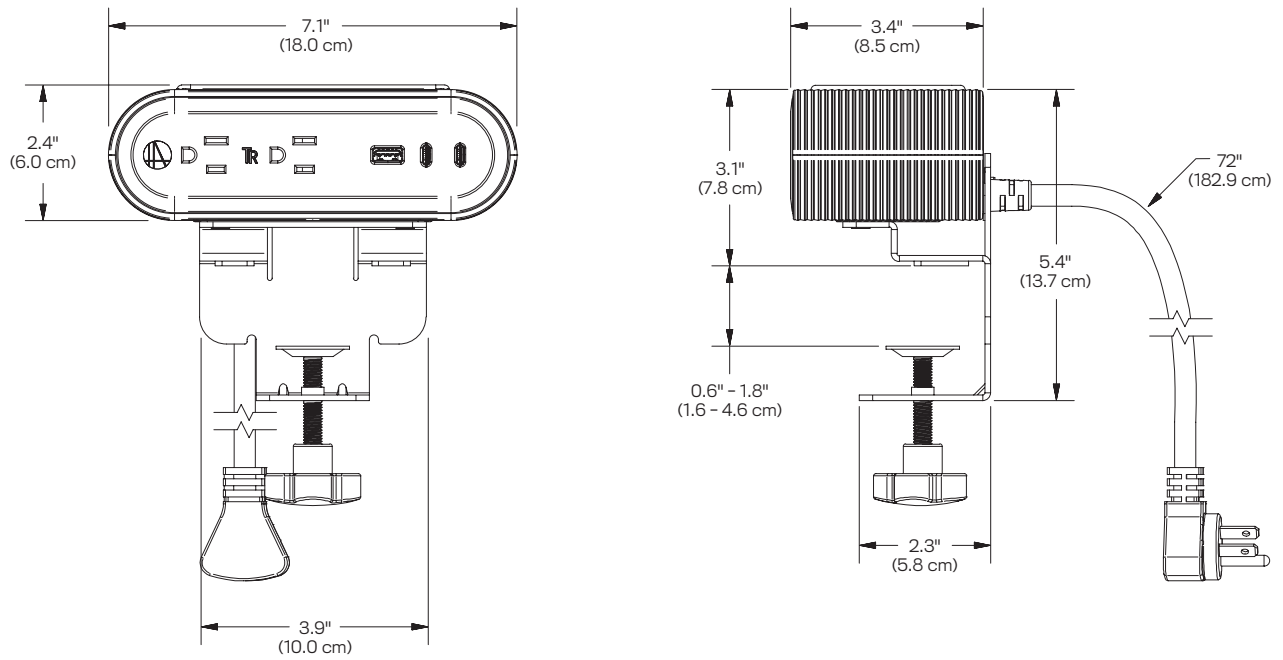
PWR-AC



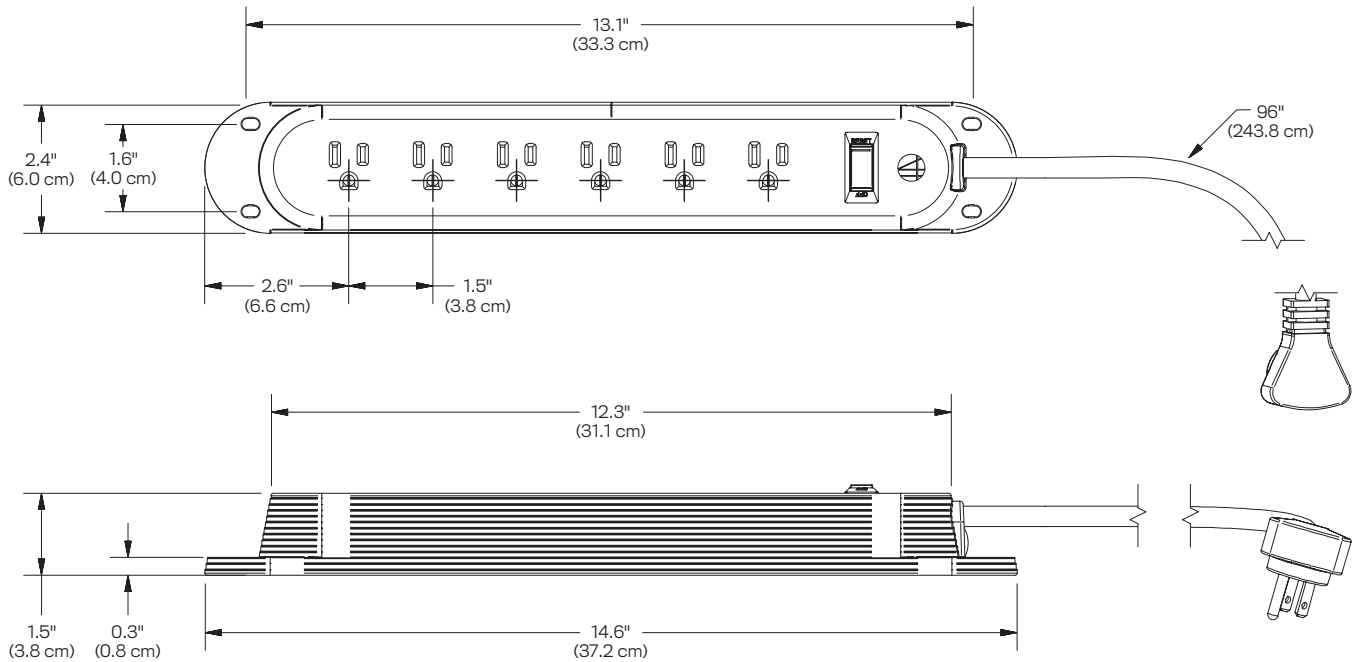
PWR-ACC



PWR-ACC-WRLS



PWR-STRP



PWR-ACC-STRP

