



KPM180H

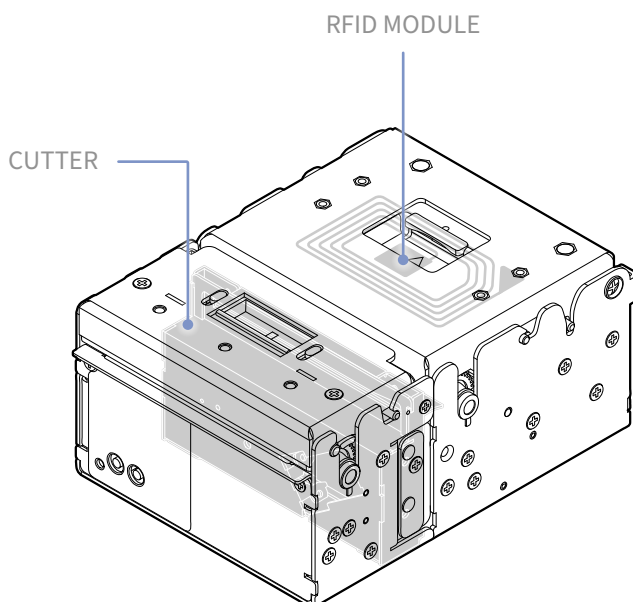
LINERLESS AND RFID INSIDE

KPM180H is now available with **built-in RFID module** making it the most compact and versatile future-proof printer ever. KPM180H is the most compact boarding pass and baggage tag printer with **native AEA** firmware or **Windows drivers** for seamless integration into CUSS platforms and Self Bag Drop. KPM180H is highly innovative because it also integrates RFID technology within the same device, allowing extreme versatility in the management of bag tags.

RFID can be simply activated through a software license.

FEATURES

- **RFID encoding during printing** (can be activated with license)
- **Linerless* bag tag and standard baggage tag support**
- **Extremely compact and reliable**
- **Compatible with Cupps**
- **Support AEA 2018** and previous versions or **Windows drivers**
- **High speed** up to 200 mm/s
- **High performance Autocutter** with Cut and Hold mechanism / **Motorized Ejector**
- **Automatic detection** of the ticket length **with no first ticket waste**
- **1D and 2D IATA barcode printing:** UPC-A, UPC-E, EAN13, EAN8, CODE39, ITF, CODABAR, CODE93, CODE128, CODE32, PDF417, DATAMATRIX, AZTEC, QRCODE
- **Printing method:** Thermal fixed head
- **Resolution:** 203 dpi - 8 dots/mm
- **Paper width:** 20 mm to 82.5 mm
- **Power supply:** 24 Vdc \pm 10%, from 100 Vac to 240 Vac
- **Average absorption:** 1.5A (12.5% dots on)
- **Head life:** 100Km/100M pulses
- **Operating temperature:** -10 °C to + 60 °C
- **Dimensions:** 108 mm (W) x 149.5 mm (D) x 67 mm (H)
- **Weight:** 0,8 Kg



INTERFACES

- **RS232**
- **USB 2.0** (or VirtualCOM)
- **ETHERNET**

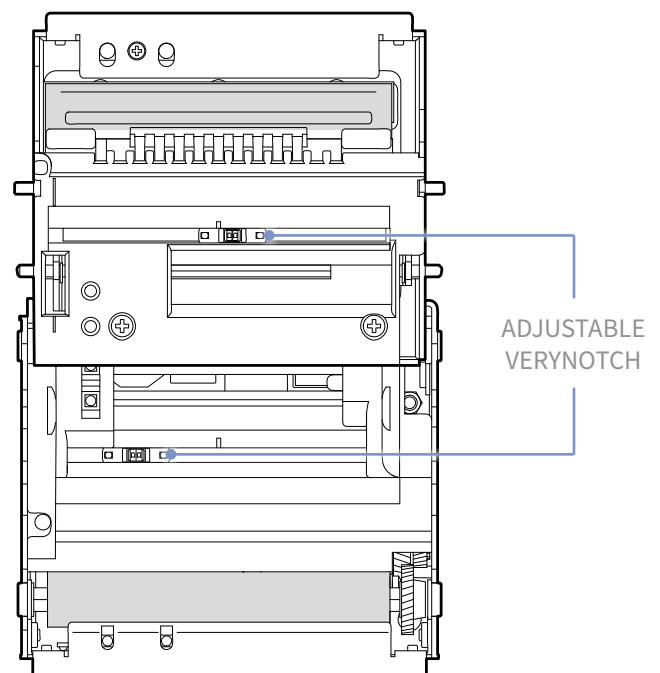
SENSORS

- **Adjustable verynotch** (bottom and top)
- **Ticket presence**
- **Ticket output**
- **Near paper end**
- **Reads transparently Self-installing drivers** for Win7, 8, 8.1, 10 (32-64 bit support); Linux (32-64 bit support); AEA and Windows print modes

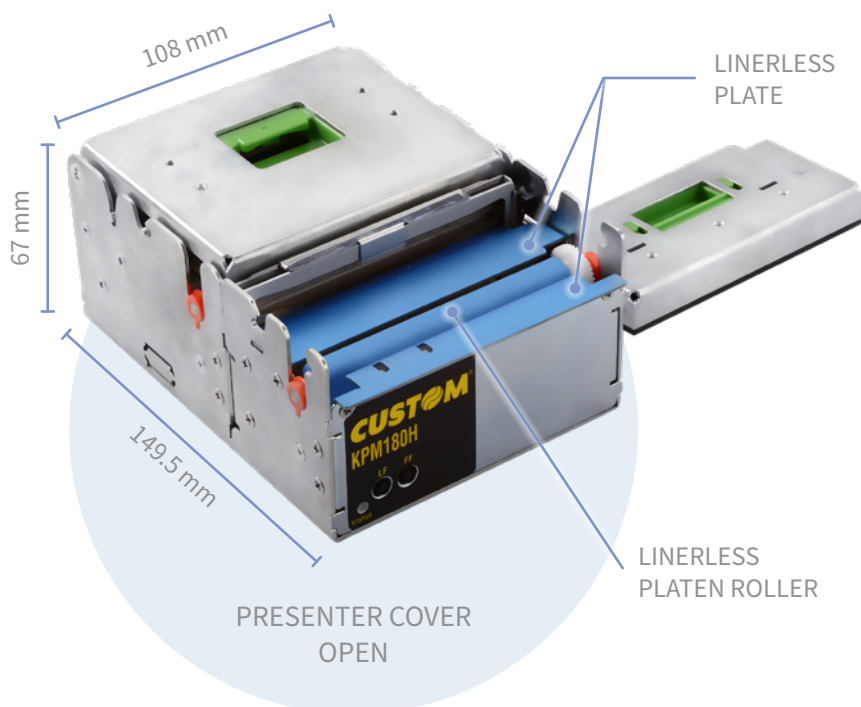
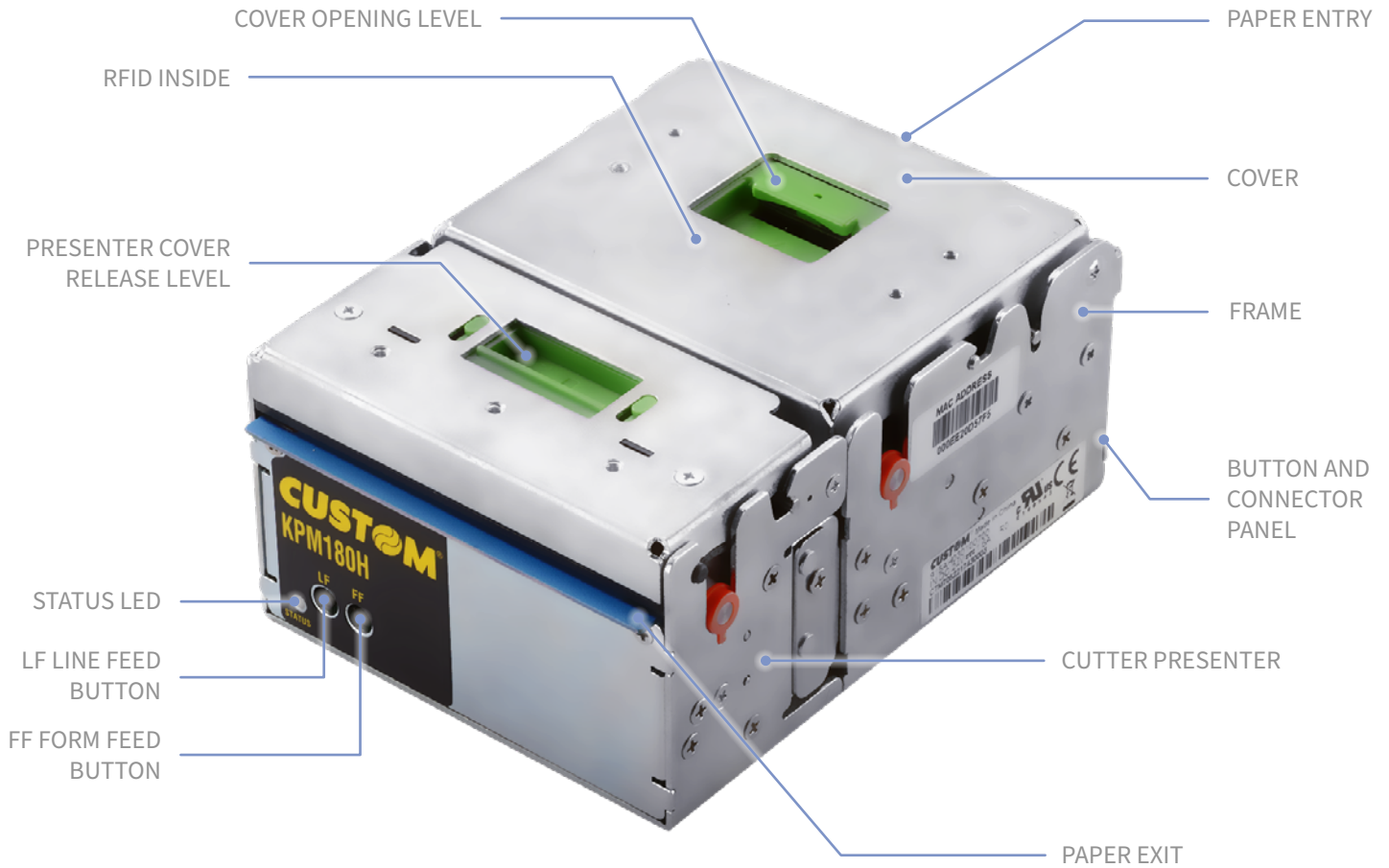
SUPPORTED PAPER

- **Receipt paper**
- **ATB coupons**
- **Standard bag tags**
- **RFID standard bag tags**
- **Linerless bag tags***
- **RFID linerless bag tags***

*certified Linerless bag tags only



TECHNICAL DETAILS



RFID AND LINERLESS ARE READY-TO-USE, no need of adding RFID modules/antenna, no need to swap parts.

RFID MODULE INSIDE.

RFID CAN BE EASILY ACTIVATED through a software license only when and if it will be required.



AVAILABLE MODELS

P/N

915AH031100700

915AH031200700

915AH031300700

915AH031400700

DESCRIPTION

PROP KPM180H-LL IDU INT CUT PRES ETH CN

PROP KPM180H-LL IDU INT CUT PRES E01 CN

PROP KPM180H-LL IDU INT CUT PRES E12 CN

PROP KPM180H-LL IDU INT CUT PRES E06 CN

ACCESSORIES

P/N

9S0SW211000010

DESCRIPTION

RFID LICENCE KPM/TK180H